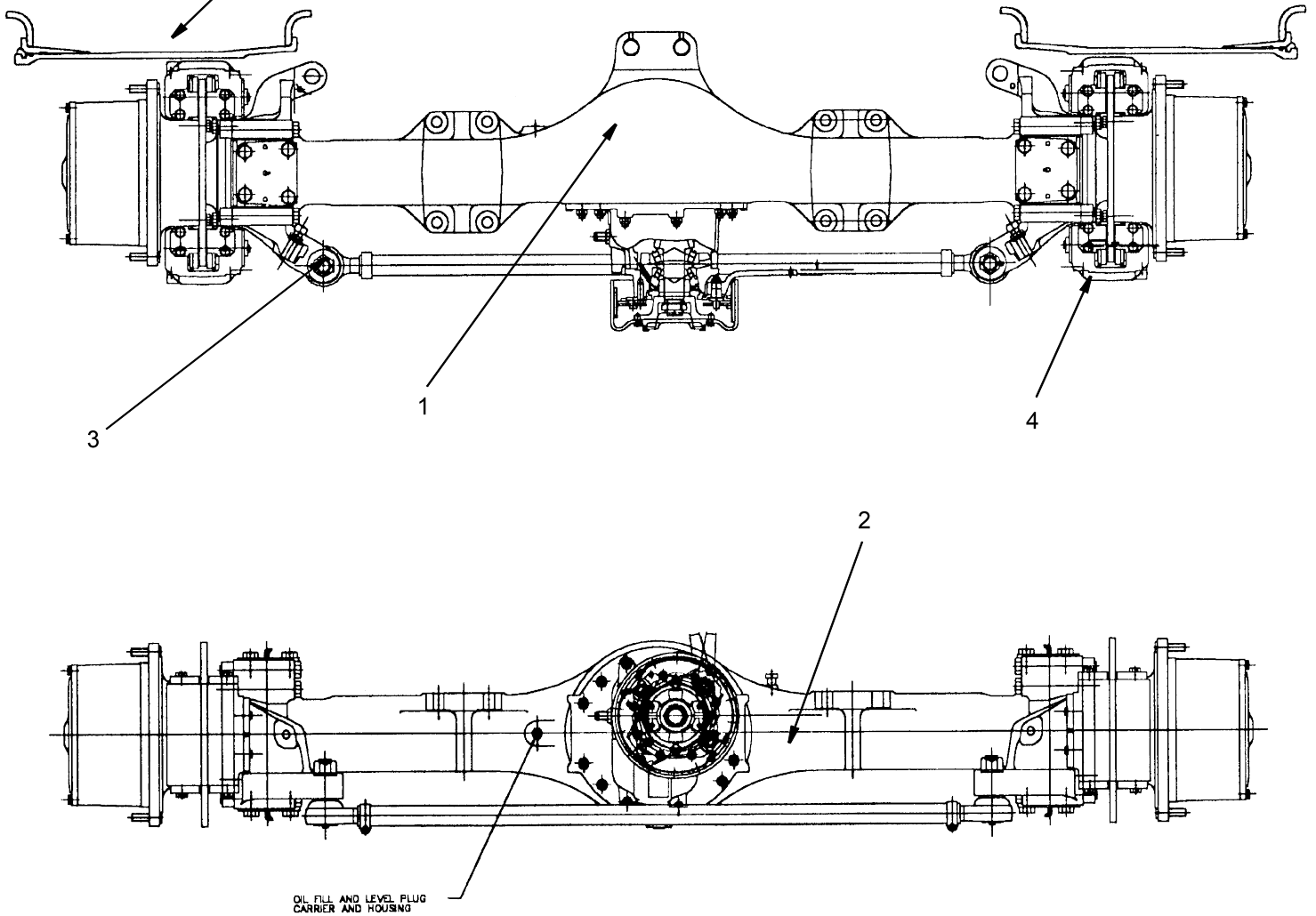


WHEELS & TIRES
(See Page 5.8)



REF.	PART NO.	DESCRIPTION	QTY.
	710 0319	Front Planetary Axle.....	1
	710 0320	Rear Planetary Axle	1
1	220349	Housing Group - Front	1
	220350	Housing Group - Rear	1
2	217274	Differential Carrier Assembly - Front.....	1
	217287	Differential Carrier Assembly - Rear.....	1
3	217288	Hub & Shaft Group - Front	1
	217290	Hub & Shaft Group - Rear.....	1
4	217388	Brake Group.....	8

WHEN ORDERING PARTS, SPECIFY MODEL NUMBER, SERIAL NUMBER AND DESCRIPTION OF PART REQUIRED

TEREX  **CRANES**

PLANETARY AXLES

DATE: Issued 7-2003

MODEL: RT500-1

PAGE 5.1

GROUP

5